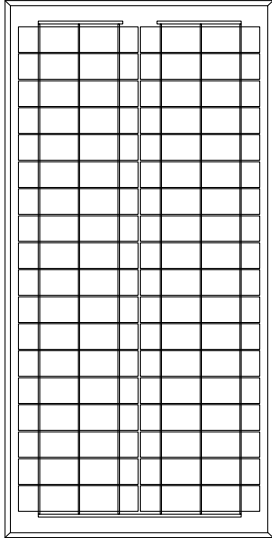




Online Solar, LLC

642 Ponte Villa South
 Baltimore, MD 21230
 Tel: +1.888.680.2427
 Fax: +1.410.528.9445

VLS-30W Panels Specifications



Laminate: Glass /EVA / TPT (tedlar/pet/tedlar) or TPE

Front Side: High-transmission 3.2mm tempered glass

Back Side: TPT /TPE

Frame: Clear anodized aluminum frame

Module Type	Pm(Wp)±5%	Vmpp(V)	Imp(A)	Voc(V)	Isc(A)	Module size(mm)	NET(kg)
VLS-30W	30	17.1	1.75	21.4	1.95	750*350*50mm 29.5"*13.8"*1.97"	3.2

Operation Temperature Range: - 40°C ~ 85°C

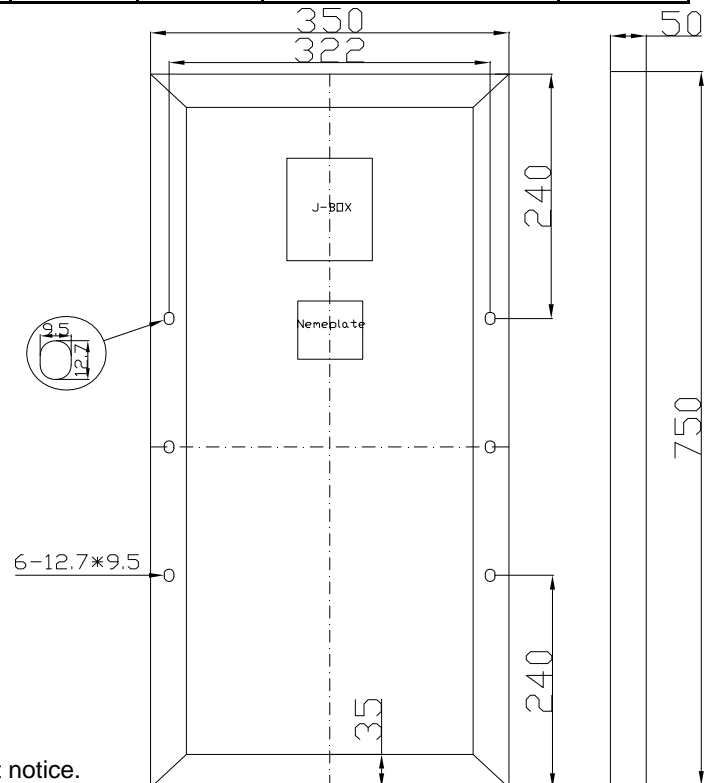
NOCT: 48°C±3°C

Temperature coefficients of Im: + 0.1 %/°C

Temperature coefficients of Vm: - 0.38 %/°C

Maximum System Voltage: DC715V

STC: 1000W/m² , 25°C , AM1.5



All the data of this sheet are subjected to change without notice.



Online Solar, LLC

642 Ponte Villa South
 Baltimore, MD 21230
 Tel: +1.888.680.2427
 Fax: +1.410.528.9445